

LASHER SPORT^{LLC}

PO Box 112044 • Anchorage, Alaska • 99511
 Ph: 907-529-8833 • Fax: 907-346-2256

Update: 5-01-09

Ordered By / Ship To

Name: _____

Address: _____

City: _____ State: _____ Zip: _____

Phone Number: _____

e-Mail Address: _____

Height: _____ Weight: _____ Age: _____ Injury: _____

Shirt Size: _____ Current Chair: _____

By signing below, you acknowledge that you understand all measurements and options on this order form and confirm that they are correct. You also acknowledge that your chair will be custom made to these specifications for you and that there are no refunds or exchanges.

Customer Signature: _____



Frame Style-

Lasher Sport BT-Mg-AS Magnesium \$ 5995.00
Adjustable CoG with front and rear wheel Shock Absorbers

Options Cost \$ _____

Shipping (US) \$ 295.00

Total Cost* \$ _____

* A 25% deposit is required at time of order.

Frame Dimensions

1a- Seat Width- 14"-18" by 1": _____

1b- Taper Option: Front Seat Width- 14"-18" by 1": _____ Add \$295

2- Seat Depth- 14"-18" by 1": _____

3- Front Seat Height- 17"-21" by 1/2": _____

4- Rear Seat Height- 16"-20" by 1/2": _____

5- Foot Rest top to Ground- Slightly adjustable: _____

6- Back Rest Height- fixed height (folding)- 5"-20" by 1" : _____

7- Back Rest Angle (relative to ground)- adjustable- 80°-100°: _____

**Backrest does not lock in upright or folded position.*

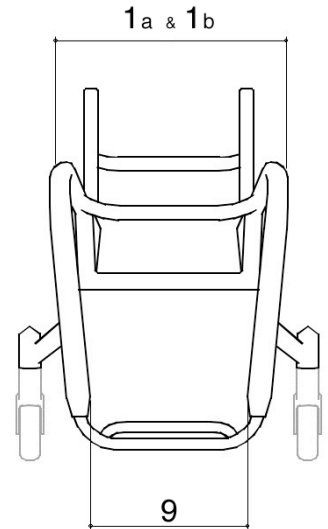
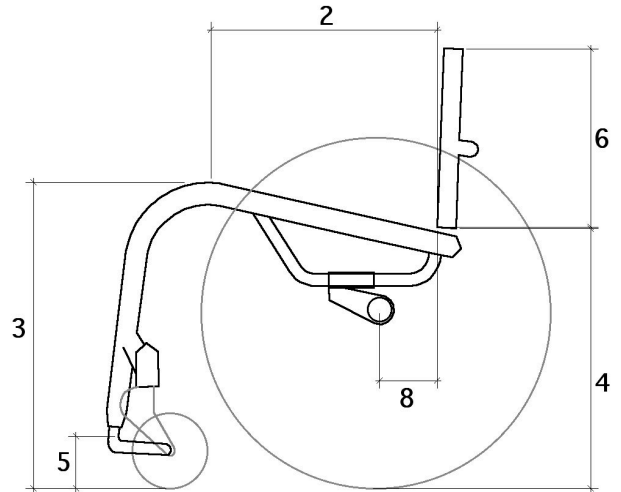
8- Rear Axel Center of Gravity- Adjustable from 1.5" to 4.5"- Initial Setting: _____

9- Footrest Width- By default, footrest is 2.75" narrower than seat width: _____

10- Wheel Camber: 2° standard Other: _____ Add \$295

11- Wheel Offset (distance from top inside of tire to backrest post): _____

12- Front End Angle: 80°, 85°, 90°, other: _____



Additional Instructions & Special Requests:

Options & Accessories

- 13- Footrest:** Open Loop Tube- Standard
Flat Aluminum Plate Cover- \$95
Diamond Plate Cover- \$145
Carbon Plate Cover- \$225
- 14- Front Wheels:** Frog Legs Ultra Sport (shock absorbing)- Standard
Frog Legs Uni-tine Fork- NCO
Aluminum Hub Caster- Size: 3"x1", 3"x1.5", 4"x1", 4"x1.5", 5"x1", 5"x1.5"- Standard
Caster Size: other _____ - \$TBD
- 15- Rear Wheels:** Spinergy LX Everyday or SLX Sport- Standard
Size: 24" (540), 25" (559), 26" (590)
Spoke Color (circle one): Black (standard), White, Yellow, Blue, Red
Hub Color: Silver (standard), Black (optional)
Optional: Custom color anodized Spinergy hubs and rims: \$395
Optional: Glance Aluminum Billet Wheels (25" only): \$295 and up
Glance Style (circle one): Recluse, Vortex, Terminator, Swish, Sun, Triton, Classic, Cross
Optional: Custom color anodized Glance wheels: \$395
Optional: Round Betty Wheels: \$495 Finish Choice: _____
- 16- Rear Tires:** Primo Racer, Silver Buller, Passage- Standard
Optional- Schwalbe Marathon Plus Evo- \$55
Optional- Other (list make and model) _____ - \$TBD
- 17- Handrims:** Hard Anodized – Standard
Spinergy Flex Fit Handrim (Spinergy LX only)- \$295
Natural Fit Handrims, original <or> New LT- \$395
Vinyl <or> Foam coated- \$195
Custom color anodized handrims- \$195
- 18- Wheel Locks:** None- Standard
Push to Lock- \$185
Scissor- \$185
D's Locks (integrated with frame)- \$695
- 19- Push Handles:** None- Standard
Black anodized aluminum- \$250
Carbon Fiber- \$295
- 20- Side Guards:** Custom Plate Aluminum Side Guards- \$395
Custom Cut Graphic Aluminum Side Guards- \$450
Custom Dragon Plate Carbon Side Guards - \$495
- 21- Back Upholstery:** Tension carbon fiber laminate Adjustable – Standard
Optional- ADI Carbon Fiber Backrest – Low 10" high - \$695
Mid 13" high- \$795
Standard 16" high - \$795
- 22- Seat Upholstery:** Tension carbon fiber laminate Adjustable – Standard
Optional- Dragon Plate Carbon Fiber seat base- \$695
- 23- Calf Strap:** \$45
- 24- Frame Bumper (neoprene):** \$45
- 25- Seat Cushion:** None- Standard
Optional: Jay Basic: \$125
Custom Cushion- Please Specify _____ - \$TBD
(Cost will be confirmed before cushion is ordered)

Frame Finish

- 26- Main Frame and Backrest-**
Powder Coat (basic colors)- Standard
Custom Powder Coat Color- \$295
- 27- Frame Caps and accessory finish-**
Semi-Gloss Finish- Standard
Mirrored Finish - \$295
Custom Color Anodized- \$395

Other Options:

These chairs are completely custom made for you, so it's impossible to include every option. If we've missed something you'd like, please make note of it here: _____
