

LASHER SPORT

PO Box 112044 • Anchorage, Alaska • 99511
 Ph: 907-529-8833 • Fax: 907-346-2256

Update: 5-1-09

Ordered By / Ship To

Name: _____

Address: _____

City: _____ State: _____ Zip: _____

Phone Number: _____

e-Mail Address: _____

Height: _____ Weight: _____ Age: _____ Injury: _____

Shirt Size: _____ Current Chair: _____



By signing below, you acknowledge that you understand all measurements and options on this order form and confirm that they are correct. You also acknowledge that your chair will be custom made to these specifications for you and that there are no refunds or exchanges. Further, you are aware that the ATB Ultimate is designed for rugged and difficult terrain not suitable for an everyday wheelchair and is not intended for high speeds and/or downhill racing and should always be used in a controlled manner with care taken for its intended use.

Customer Signature: _____

Frame Style

Lasher Sport ATB-Ultimate - Base Price \$ 8995.00

- Magnesium Frame with rear wheel suspension- Standard

Options Cost \$ _____

Shipping (US) \$ 395.00

Total Cost* \$ _____

* A 25% deposit is required at time of order.

Frame Dimensions

1- Seat Width- 14" - 18" by 1": _____

2- Seat Depth- 15" - 18" by 1": _____

3- Front Seat Height- 19" - 22" by 1/2": _____

4- Rear Seat Height- 17" - 20" by 1/2": _____

5- Foot Rest top to Ground- adjustable: _____

6- Back Rest Height- (height not adjustable) 8" - 20" by 1": _____

6b- Circle one- Folding or Fixed (welded at specified angle)

7- Back Rest Angle (relative to ground)- Adjustable- 90°-100°: _____

**Backrest does not lock in upright or folded position.*

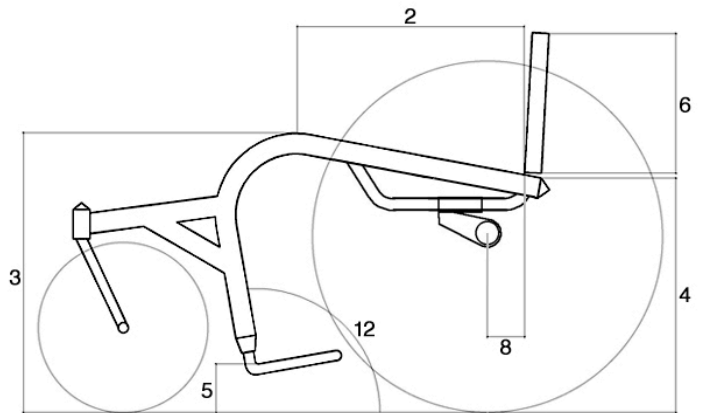
8- Rear Axle Center of Gravity, Adjustable- Specify initial setting- 1" - 5": _____

9- Footrest Width- By default, footrest is 3" narrower than seat width: _____

10- Wheel Camber: 6° standard, other: _____ Add \$350

11- Wheel Offset, Adjustable (distance from top inside of tire to backrest post): _____

12- Front End Angle: 90°, 100°, 110° other: _____



Additional Instructions & Special Requests:

Options & Accessories

- 13- Footrest:** ATB-Ultimate Style: Slotted Foot Plate with Toe Guard- Standard
- 14- Front Casters:** Custom Built 12.5" x 2.25"- Standard
- 15- Rear Wheels:** Spinegy SLX Sport (24 spoke)- Standard
Size: 25" (559) – This is standard Mountain Bike tire size, also called 26" in mountain bike shops
Spoke Color (circle one): Black (standard), White, Yellow, Blue, Red
Hub Color (circle one): Black (standard) or Silver
- 16- Rear Tires:** Schwalbe Nobby Nic Evolution 26" (559) x 2.25"- Standard
Optional- (list make and model- must be a standard 26" (559) mountain bike tire) _____
- 17- Hand Rims:** Silver Anodized- Standard
Vinyl Coated- \$195
Natural Fit Hand Rims- \$395
- 18- Wheel Brakes:** Avid Juicy Ultimate hydraulic disk brakes with ADI quick release disk brake mounts- Standard
(comes with frame mounted dual carbon and magnesium brake lever assemblies for breaking and steering control)
- 19- Push Bar:** Adjustable Angle mountain bike style push bar- Standard
- 20- Side Guards:** Custom Plate Aluminum Side Guards- Standard
Custom Cut Graphic Insert design on side guards- \$295
- 21- Back Upholstery:** Tension Adjustable – Standard
Optional: ADI Carbon Fiber Backrest – Low 10" high - \$695
Mid 13" high - \$795
Standard 16" high - \$795
- 22- Seat Upholstery:** Tension Adjustable – Standard
Optional: Dragon Plate Carbon Fiber seat base- \$695
- 23- Calf Strap:** \$45
- 24- Seat Cushion:** None- Standard
Optional- Jay Basic \$125
Custom Cushion- Please Specify _____
(Cost will be confirmed before cushion is ordered)

Frame Finish

- 25- Main Frame and Backrest-**
Powder Coat (basic, single process colors)- Standard
Premium Powder Coat Color- \$395
Custom Camo or Graphic Paint- \$795
- 26- Frame Caps and accessory finish-**
Semi-Gloss Finish- Standard
Mirror Polished- \$295
Custom Color Anodized- \$395
Matching Custom Camo or Graphic Paint- \$395

Other Options:

These chairs are completely custom made for you, so it's impossible to include every option. If we've missed something you'd like, please make note of it here: _____
