

LASHER SPORT^{LLC}

PO Box 112044 • Anchorage, Alaska • 99511
 Ph: 907-529-8833 • Fax: 907-346-2256

Update: 5-1-09

Ordered By / Ship To

Name: _____

Address: _____

City: _____ State: _____ Zip: _____

Phone Number: _____

e-Mail Address: _____

Height: _____ Weight: _____ Age: _____

Shirt Size: _____ Current Chair: _____

By signing below, you acknowledge that you understand all measurements and options on this order form and confirm that they are correct. You also acknowledge that your chair will be custom made to these specifications for you and that there are no refunds or exchanges.

Customer Signature: _____



Frame Style

Lasher Sport BT-ATB - Base Price	\$ 4995.00
• Add Adjustable CoG + Shock absorbing rear wheels	\$ _____
Options Cost	\$ _____
Shipping (US)	\$ <u>395.00</u>
Total Cost*	\$ _____

* A 25% deposit is required at time of order.

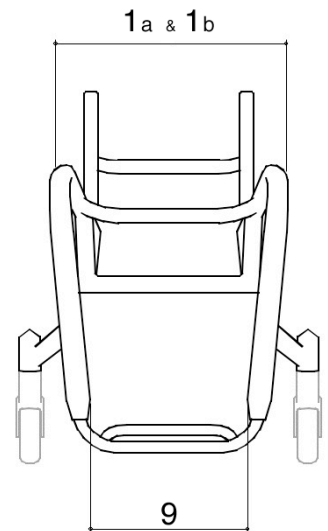
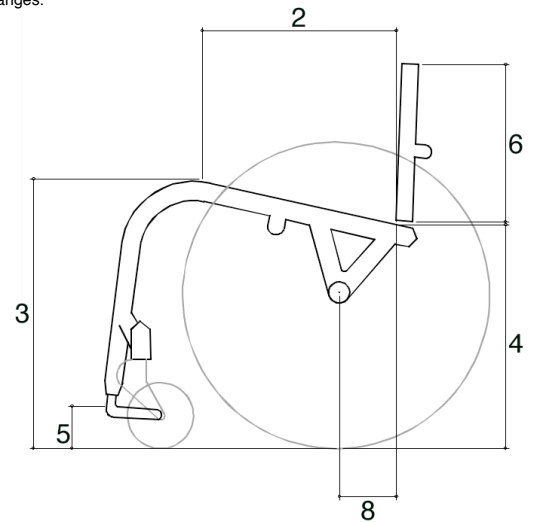
Frame Dimensions

- 1- Seat Width- 14"-18" by 1": _____
- 2- Seat Depth- 16"-18" by 1": _____
- 3- Front Seat Height- 19"-22" by 1/2": _____
- 4- Rear Seat Height- 16"-21" by 1/2": _____
- 5- Foot Rest top to Ground- adjustable: _____
- 6- Back Rest Height- non-adjustable 8" - 20" by 1": _____
 - 6b- Circle one- Folding, Fixed (welded at specified angle)
- 7- Back Rest Angle (relative to ground)- adjustable- 90°-100°: _____

**Backrest does not lock in upright or folded position.*
- 8- Rear Axel Center of Gravity- Non-adjustable- 0"-5" by 1/2": _____

**Note: For adjustable CoG option, specify initial factory setting*
- 9- Footrest Width- By default, footrest is 3" narrower than seat width: _____
- 10- Wheel Camber: 6° standard, other: _____ Add \$350
- 11- Wheel Offset (distance from top inside of tire to backrest post): _____
- 12- Front End Angle: 90°, 100°, 110° other: _____

Additional Instructions & Special Requests: _____



Options & Accessories

- 13- Rear wheel Axle:** Fixed Center of Gravity- Standard
Optional: Adjustable Center of Gravity with rear shock absorbers- \$795
*Black Anodized shock absorber body
- 13- Footrest:** Open Loop Tube- Standard
Aluminum Flat Plate Cover- \$95
Diamond Plate- \$145
Aluminum Plate w/ toe guard- \$245
- 14- Front Wheels:** Caster Size: 12.5" x 2" - Standard
- 15- Rear Wheels:** Spinergy SLX Sport (24 spoke)- Standard
Size: 25" (559) – This is standard Mountain Bike tire size, also called 26" in mtn. bike shops.
Spoke Color (circle one): Black, White, Yellow, Blue, Red
Hub Color: Silver (standard), Black (optional)
- 16- Rear Tires:** (list make and model- must be a standard mountain bike tire) _____
- 17- Hand Rims:** Silver Hard Anodized – Standard
Vinyl Coated- \$195
Natural Fit Hand Rims– Optional \$395
- 18- Wheel Locks:** None- Standard
Push to Lock- \$185
Scissor- \$185
D's Locks- \$695
ADI Disc Brakes- \$1395 (with dual brake levers for breaking and steering control)
- 19- Push Bar:** Adjustable Angle mountain bike style- \$295
- 19- Side Guards:** Custom Plate Aluminum Side Guards- \$395
Custom Cut Graphic Inserts- \$450
- 20- Back Upholstery:** Tension carbon fiber laminate Adjustable – Standard
Optional: ADI Carbon Fiber Backrest – Low 10" high - \$695
Mid 13" high - \$795
Standard 16" high - \$795
- 21- Seat Upholstery:** Tension Adjustable – Standard
Optional: Dragon Plate Carbon Fiber seat base- \$695
- 24- Calf Strap:** \$45
- 26- Seat Cushion:** None- Standard
Optional: Jay Basic: \$125
Custom Cushion- Please Specify _____
(Cost will be confirmed before cushion is ordered)



Frame Finish

- 25- Main Frame and Backrest-**
Powder Coat (basic colors)- Standard
Premium Powder Coat Color- \$395 and up
Custom Camo or Graphic Paint- \$695
- 26- Frame Caps and accessory finish-**
Semi-Gloss Finish- Standard
Mirror Polished- \$295
Custom Color Anodized- \$395
Matching Camo or Graphic Paint- \$395

Other Options:

These chairs are completely custom made for you, so it's impossible to include every option. If we've missed something you'd like, please make note of it here: _____
