

LASHER SPORT^{LLC}

PO Box 112044 • Anchorage, Alaska • 99511
 Ph: 907-529-8833 • Fax: 907-346-2256

Update: 03-01-07

Ordered By / Ship To

Name: _____
 Address: _____
 City: _____ State: _____ Zip: _____
 Phone Number: _____
 e-Mail Address: _____
 Height: _____ Weight: _____ Age: _____ Injury: _____
 Shirt Size: _____ Current Chair: _____
 Customer Signature: _____



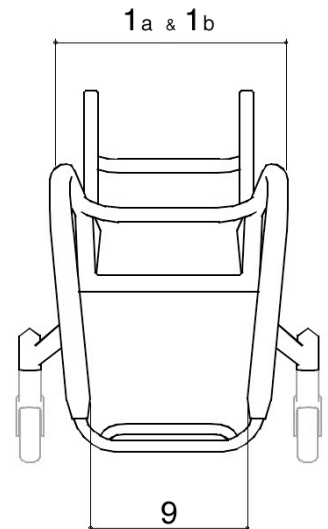
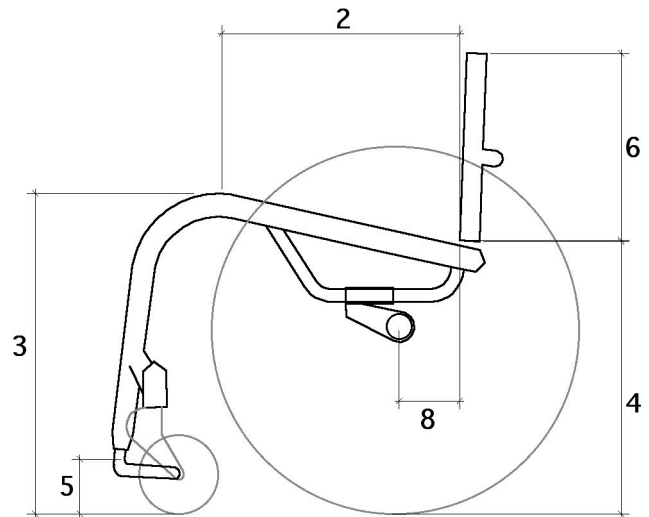
Frame Style-

Lasher Sport BT-Mg-AS Magnesium	\$ 5995.00
<i>Adjustable CoG with front and rear wheel Shock Absorbers</i>	
Options Cost	\$ _____
Shipping (US)	\$ <u>195.00</u>
Total Cost*	\$ _____

* A 20% deposit is required at time of order.

Frame Dimensions

- 1a- Seat Width- 14"-18" by 1": _____
- 1b- Taper Option: Front Seat Width- 14"-18" by 1": _____ Add \$150.00
- 2- Seat Depth- 14"-18" by 1": _____
- 3- Front Seat Height- 17"-21" by 1/2": _____
- 4- Rear Seat Height- 16"-20" by 1/2": _____
- 5- Foot Rest top to Ground- Slightly adjustable: _____
- 6- Back Rest Height- fixed height, folding- : _____
- 7- Back Rest Angle (relative to ground)- adjustable- 80°-100°: _____
- 8- Rear Axel Center of Gravity- Adjustable from 1.5" to 4.5"- Initial Setting: _____
- 9- Footrest Width- By default, footrest is 2.75" narrower than seat width: _____
- 10- Wheel Camber: 2° standard Other: _____ Add \$150
- 11- Wheel Offset (distance from top inside of tire to backrest post): _____
- 12- Front End Angle: 80°, 85°, 90°, other: _____



Additional Instructions & Special Requests:

Options & Accessories

- 13- Footrest:** Open Loop Tube- Standard
Flat Aluminum Plate Cover- \$75
Diamond Plate Cover- \$95
Carbon Plate Cover- \$125
- 14- Front Wheels:** Frog Legs Ultra Sport (shock absorbing)- Standard
Frog Legs Uni-tine Fork- Optional
Casters- Aluminum Hub Caster- Size: 3"x1", 4"x1", 4"x1.5"
Dubbs 84mm (3.25") with Titanium Bearings, Clear Tread or Black Tread- Standard
Caster Size: other _____
- 15- Rear Wheels:** Spinergy LX Everyday or Sport- Standard
Size: 24" (540), 25" (559), 26" (590)
Spoke Color (circle one): White, Black, Yellow, Blue, Red
Optional: Custom color anodized Spinergy hubs and rims: \$295
Optional: Glance Aluminum Billet Wheels (25" only): \$199 and up
Glance Style (circle one): Recluse, Vortex, Terminator, Swish, Sun, Triton, Classic, Cross
Optional: Custom color anodized Glance wheels: \$199
Optional: Round Betty Wheels: \$399 Finish Choice: _____
- 16- Rear Tires:** Primo Racer, Silver Buller, Passage- Standard
Optional- Schwalbe, Kik, Kenda, Other (list make and model) _____
- 17- Handrims:** Hard Anodized – Standard
Natural Fit Handrims- \$295 with super grip thumb ring, +\$50
Custom color anodized rims: \$199
- 18- Wheel Locks:** None- Standard
Push to Lock- \$135
Scissor- \$135
D's Locks- \$595
- 19- Side Guards:** Custom Plate Aluminum Side Guards- Adjustable for CoG- \$350
Custom Cut Graphic Aluminum Side Guards- Adjustable for CoG- \$395
Custom Dragon Plate Carbon Side Guards- Adjustable for CoG - \$450
- 20- Back Upholstery:** Tension carbon fiber laminate Adjustable – Standard
Optional: ADI Carbon Fiber Backrest – Low 10" high - \$595.00
Standard 16" high - \$695.00
- 21- Seat Upholstery:** Tension carbon fiber laminate Adjustable – Standard
Optional: Dragon Plate Carbon Fiber seat base- \$575.00
- 22- Axels:** Quick release (large button)- Standard
- 23- Calf Strap:** \$45
- 24- Seat Cushion:** None- Standard
Optional: Jay Basic: \$90
Stimulite by Supracor- Slimline-\$341.00 Classic-\$448.00 Sport-\$295.00 Contour-\$487
Varilite- Zoid-\$325
Custom Cushion- Please Specify _____

(Cost will be confirmed before cushion is ordered)

Frame Finish

- 25- Main Frame and Backrest-**
Powder Coat (basic colors)- Standard
Custom Powder Coat Color- \$295 and up
- 26- Frame Caps and accessory finish-**
Semi-Gloss Finish- Standard
Mirrored Finish - \$295
Custom Color Anodized- \$295

Other Options:

These chairs are completely custom made for you, so it's impossible to include every option. If we've missed something you'd like, please make note of it here: _____
